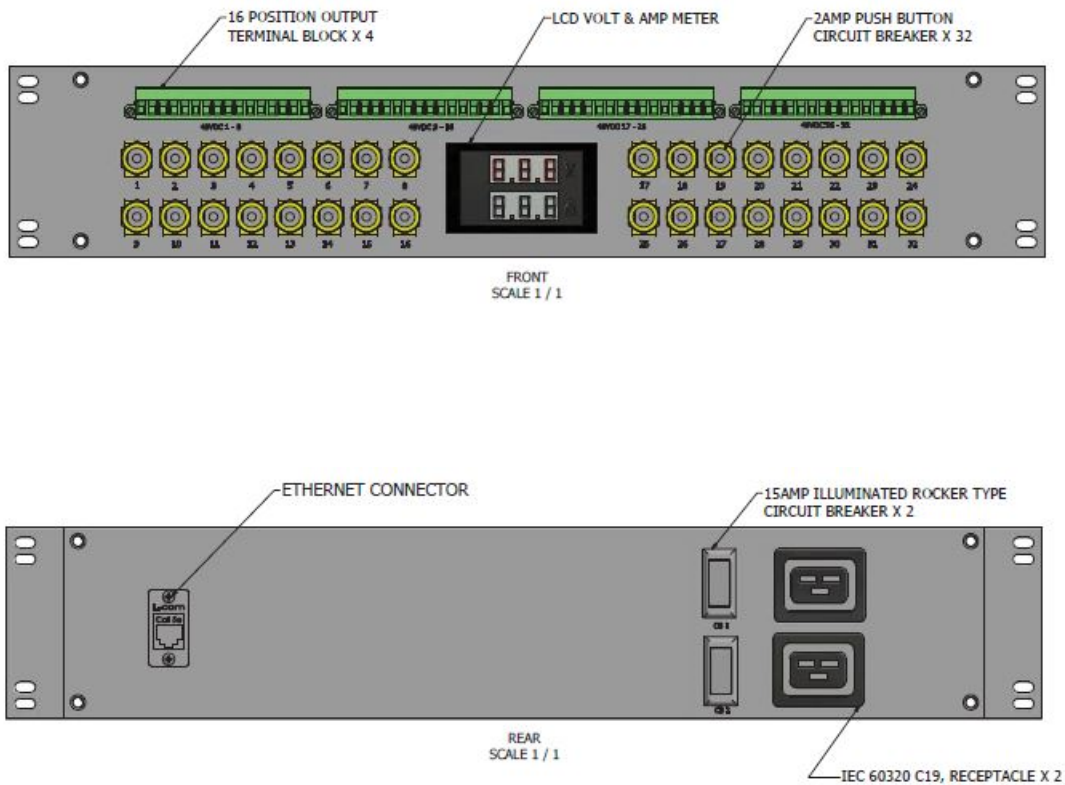


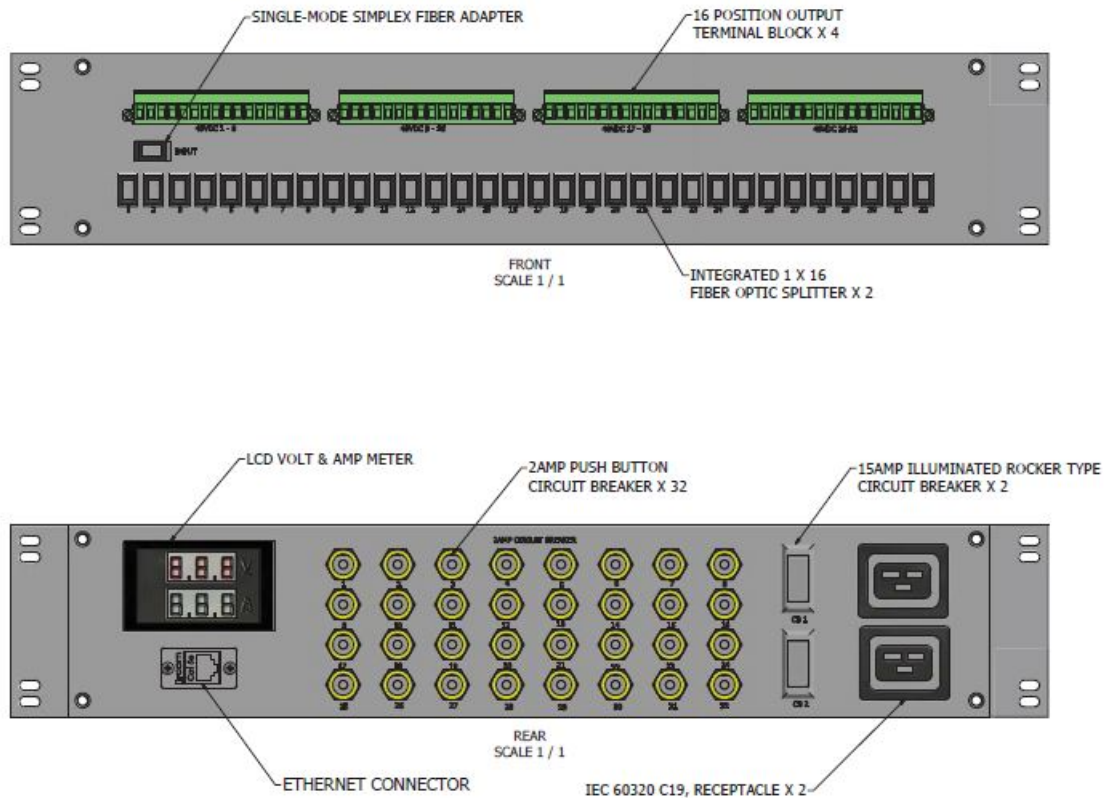
32 OUTPUT POL PDU



EPS-4000-32-RM-AC

- (32) INDIVIDUALLY PROTECTED 100W 50VDC OUTPUTS
- 120/240VAC INPUT (DC INPUT Models Q4 2016)
- ON BOARD CHASSIS POWER AND CURRENT INDICATOR
- OPTIONAL ETHERNET OR 802.11 CONNECTIVIITY FOR REMOTE POWER MONITORING
- 2RU RACK OR WALL MOUNTABLE

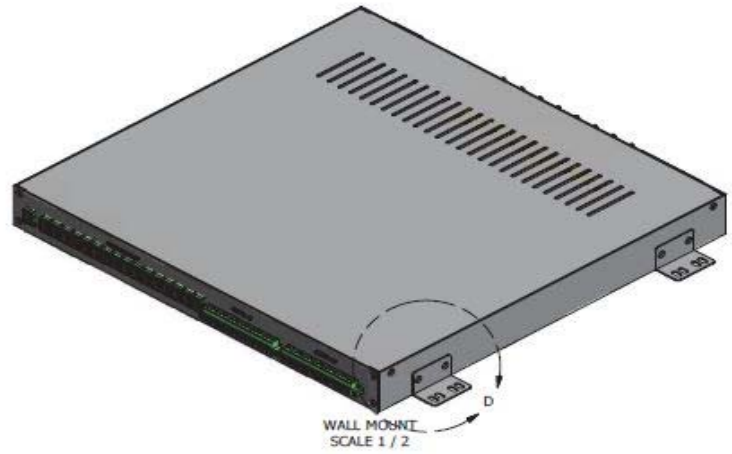
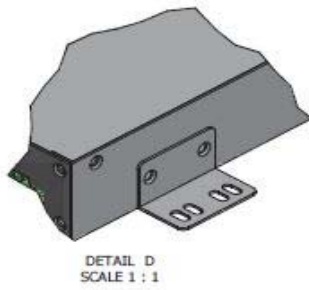
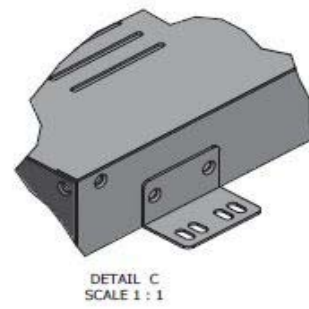
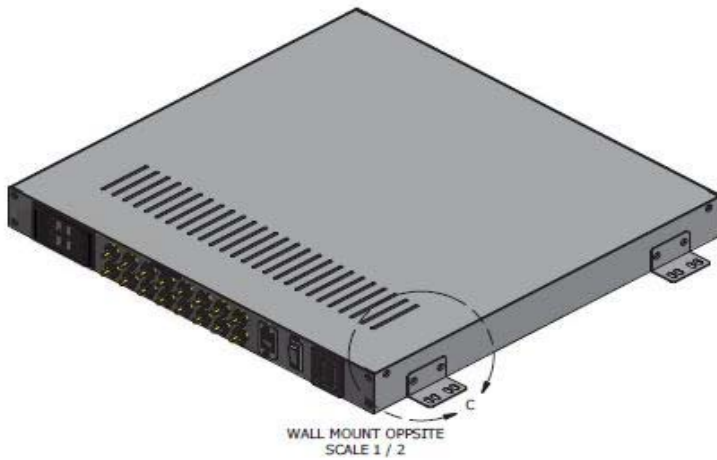
32 OUTPUT POL PDU WITH INTEGRATED FIBER OPTIC SPLITTER



EPS-4000-32-RM-1X32-AC

- (32) INDIVIDUALLY PROTECTED 100W 50VDC OUTPUTS
- 1X32 OR 2X32 INTEGRATED OPTICAL SPLITTER
- 120/240VAC INPUT (DC INPUT Models Q4 2016)
- ON BOARD CHASSIS POWER AND CURRENT INDICATOR
- OPTIONAL ETHERNET OR 802.11 CONNECTIVIITY FOR REMOTE POWER MONITORING
- 2RU RACK OR WALL MOUNTABLE

WALL MOUNT OPTIONS





ESP-4000-32 SERIES PRODUCT LIST

PART NUMBER	PRODUCT DESCRIPTION
EPS-4000-32-RMW-1X32-AC	32 Port GPON Power Supply with integrated 1x32 splitter and wireless (802.11) remote monitoring
EPS-4000-32-RM-1X32-AC	32 Port GPON Power Supply with integrated 1x32 splitter and ethernet remote monitoring
EPS-4000-32-RMW-AC	32 Port GPON Power Supply with wireless (802.11) remote monitoring (No Splitter)
EPS-4000-32-RM-AC	32 Port GPON Power Supply with ethernet remote monitoring (No Splitter)
EPS-4000-32-1x32-AC	32 Port GPON Power Supply with integrated 1x32 splitter (No Remote Monitoring)
EPS-4000-32-AC	32 Port GPON Power Supply (No Splitter / No Remote Monitoring)

sales@edgepowersolutions.net

Phone: 844-5-EDGE-4U (844-533-4348)

Fax: 321-622-5605